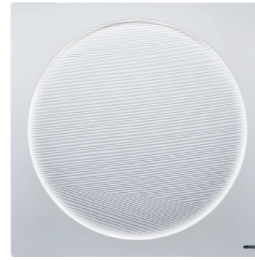


ARTCOOL Stylist INVERTER V

9K
G09WL

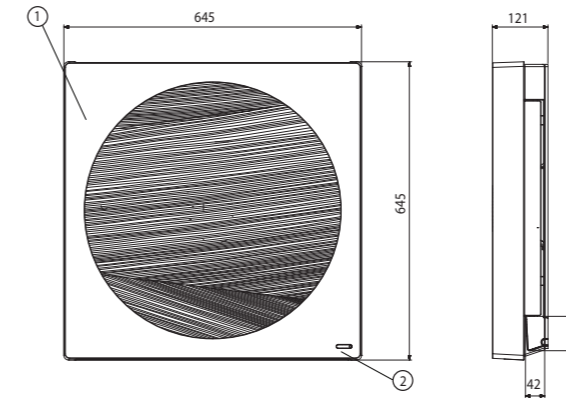
12K
G12WL



P 24 P 15 P 15 P 31 P 31 P 34

Unit				9K	12K
Model Outdoor Unit				G09WL ASUW0963WB0	G12WL ASUW1263WB0
Model Indoor Unit				G09WL ASNW0963WB0	G12WL ASNW1263WB0
Indoor Unit					
Capacity	Cooling	Min	W	1300	1300
		Rated	W	2500	3500
		Max	W	3500	4000
Heating	Min	W	1300	1300	
		Rated	W	3000	3500
		Max	W	4200	5000
Heating -7°C	Rated	W	690	1090	
		W	830	970	
Heating +7°C	Rated	W	3200	3700	
		W/W	3.61	3.21	
EER				5.70	5.60
S.E.E.R.				2.50	3.50
P design C				3.61	3.61
COP				3.80	3.80
S.C.O.P.				2.70	3.30
P design H				5.7	5.6
S.E.E.R.				3.8	3.8
S.C.O.P.				A+	A+
Energy Label	Cooling			A	A
	Heating				
Annual Energy Consumption	Cooling	kWh		170	220
	Heating	kWh		1100	1224
Power Supply			Φ / V / Hz	1/220~240/50	1/220~240/50
Sound Pressure	Cooling	Sleep	dBA	19	19
		Low	dBA	29	29
		Medium	dBA	34	34
	Heating	High	dBA	39	39
		Low	dBA	32	32
	Medium	dBA	35	35	
	High	dBA	39	39	
Sound Power	Cooling	High	dBA	60	60
Air Flow Rate	Cooling	Max (Power)	m ³ /min	10.5	10.5
		Sleep	m ³ /min	4.5	4.5
		Low	m ³ /min	6.0	6.0
		Medium	m ³ /min	7.0	7.0
		High	m ³ /min	8.0	8.0
Heating	Low	m ³ /min	6.6	6.6	
		Medium	m ³ /min	7.5	7.5
		High	m ³ /min	8.5	8.5
Dehumidification Rate			l/h	1.2	1.5
Running Current	Cooling	Rated	A	4	5
		Max	A	6.0	6.0
	Heating	Rated	A	4	4.5
		Max	A	7.0	7.0
Starting Current	Cooling	Rated	A	4	5
	Heating	Rated	A	4	4.5
Circuit Breaker			A	15	15
Power Supply Cable			N x mm ²	3*1.0	3*1.0
Power & Transmission Cable			N x mm ²	4*1.0(Including Earth)	4*1.0(Including Earth)
Dimension			mm	645*645*121	645*645*121
Net Weight			kg	18	18
Fan Motor Output			W	24	24
Outdoor Unit					
Operation Range	Cooling	Min~Max	°CDB	-10~48	-10~48
	Heating	Min~Max	°CWB	-15~24	-15~24
Sound Pressure	Cooling	High	dBA	45	45
		High	dBA	45	45
Sound Power	Cooling	High	dBA	65	65
Air Flow Rate	Cooling	High	m ³ /min	33	33
		Min	m	-	-
		Max	m	15	15
		Elevation (Odu/Idu)	m	7	7
Piping Connection	Liquid	OD(Outside)	mm	6.35	6.35
		OD(Outside)	inch	1/4	1/4
		OD(Outside)	mm	9.52	9.52
	Gas	OD(Outside)	inch	3/8	3/8
		OD(Outside)	mm	21.5	21.5
	Drain	OD(Outside)	inch	0.85	0.85
Refrigerant	Type			R410a	R410a
	Charge at 7.5m		g	1000	1000
	Additional charge		g/m	20	20
Fan Motor Output			W	43	43
Compressor Type				Rotary	Rotary
Net Weight			kg	34	34
Dimension			mm	770 x 545 x 288	770 x 545 x 288

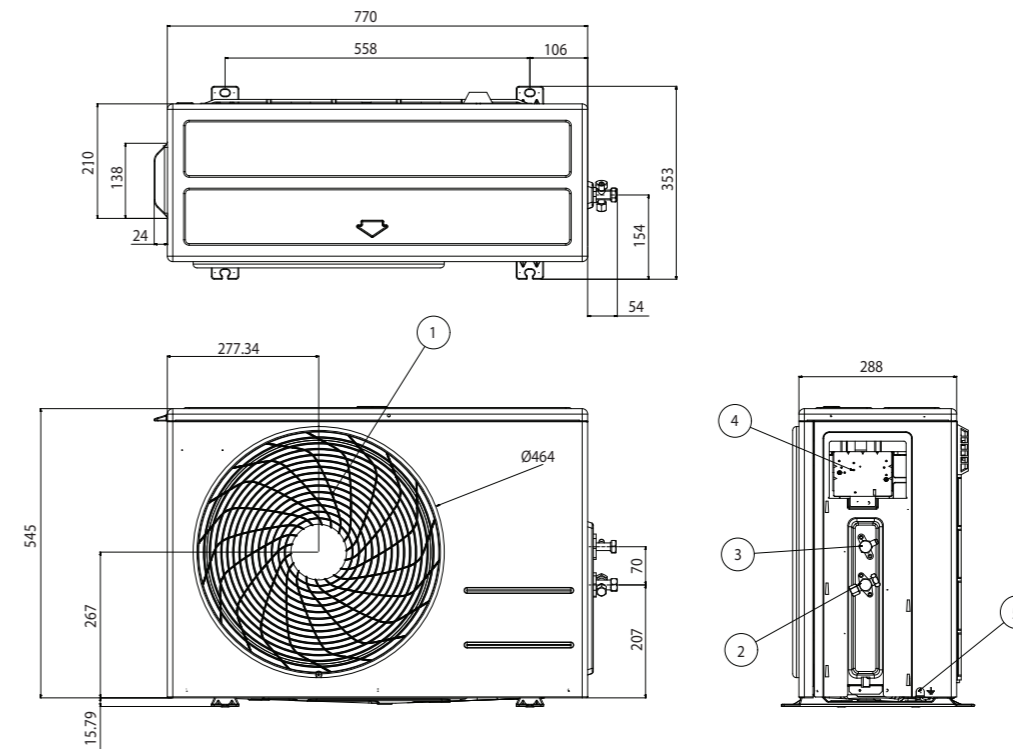
INDOOR UNIT - AS-W0963WB0 / AS-W1263WB0



(Unit: mm)

Item No.	Part Name	Remark
1	Front Panel	
2	Display & Signal Receiver	

OUTDOOR UNIT - ASUW0963WB0 / ASUW1263WB0



(Unit: mm)

Item No.	Part Name
1	Air Discharge Grille
2	Gas Pipe Connection Port
3	Liquid Pipe Connection Port
4	Control Box
5	Earth Screw