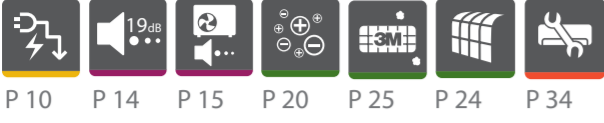


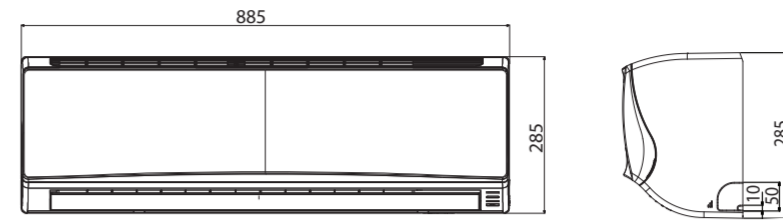
Standard INVERTER V

9K
P09RL
12K
P12RL

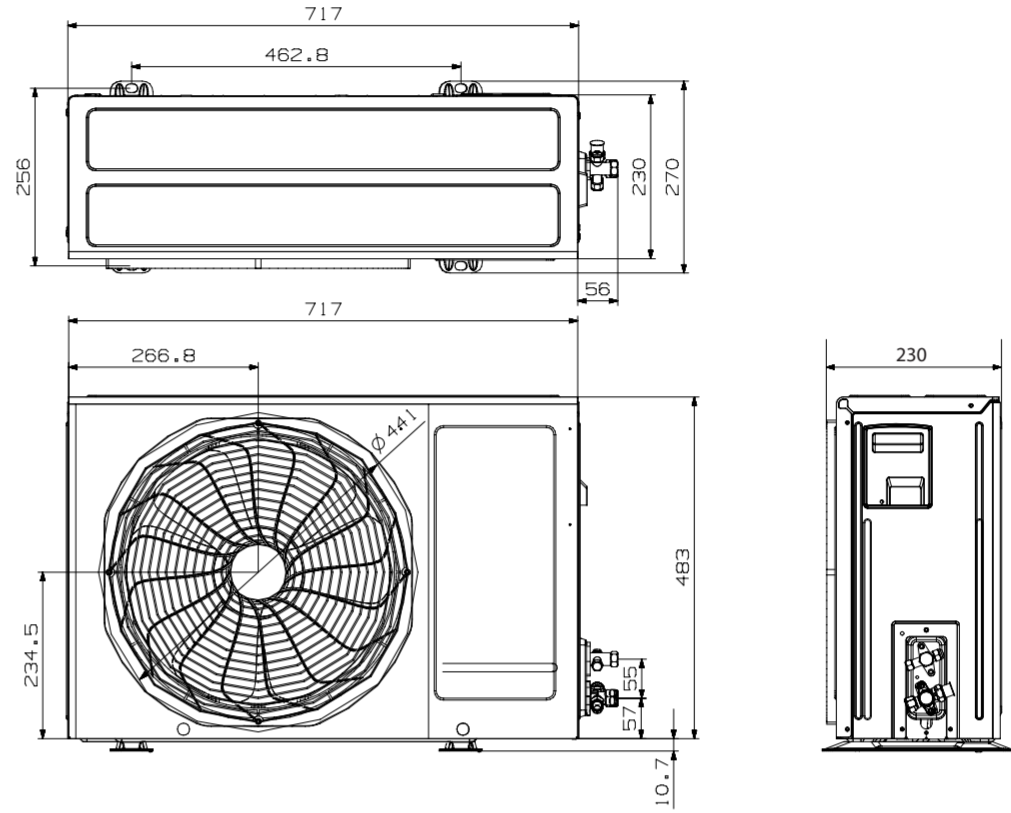


Unit				9K		12K	
Model Outdoor Unit				P09RL USUW096B8F0		P12RL USUW126B8F0	
Model Indoor Unit				P09RL USNW096B8F0		P12RL USNW126B8F0	
Indoor Unit							
Capacity	Cooling	Min	W	890	900	2500	3500
		Rated	W	2500	3500	3700	4040
	Heating	Min	W	890	890	3200	3800
		Rated	W	3200	3800	4100	5100
Power Input	Cooling	-7°C	W	3000	3600	670	1,080
		Rated	W	670	1,080	840	1,000
	Heating +7°C	Rated	W	840	1,000	3.73	3.24
EER				3.73	3.24	6.2	6.1
S.E.E.R.				6.2	6.1	2.5	3.5
P design C				2.5	3.5	3.81	3.80
COP				3.81	3.80	3.8	3.8
S.C.O.P.				3.8	3.8	2.8	3.2
P design H				2.8	3.2	A++	A++
Energy Label	Cooling			A++	A++	A	A
	Heating			A	A	141	201
Annual Energy Consumption	Cooling		kWh	141	201	1179	1400
	Heating		kWh	1179	1400	19	23
Sound Pressure	Cooling	Sleep	dB(A)	19	19	23	23
		Low	dB(A)	23	23	33	33
		Medium	dB(A)	33	33	39	39
		High	dB(A)	39	39	23	23
Heating	Low	dB(A)	23	23	33	33	
	Medium	dB(A)	33	33	39	39	
	High	dB(A)	39	39	58	58	
	Max (Power)	dB(A)	58	58	3.5	3.5	
Air Flow Rate	Cooling	Low	m³/min	3.5	3.5	5.5	5.5
		Medium	m³/min	5.5	5.5	8	8
		High	m³/min	8	8	10	10
		Max (Power)	m³/min	10	10	12	12
Heating	Low	m³/min	10.5	10.5	8.5	8.5	
	Medium	m³/min	8.5	8.5	6.5	6.5	
	High	m³/min	6.5	6.5	1.1	1.3	
	Rated	l/h	1.1	1.3	3	4.7	
Running Current	Cooling	Max	A	6.5	6.5	3.7	4.4
		Rated	A	3.7	4.4	6	6
	Heating	Max	A	6	6	3	4.7
		Rated	A	3	4.7	3.7	4.4
Starting Current	Cooling	Rated	A	3	4.7	15	15
	Heating	Rated	A	4.7	15	15	15
Power Supply			Φ / V / Hz	1 / 220-240 / 50	1 / 220-240 / 50	1 / 220-240 / 50	1 / 220-240 / 50
Circuit Breaker			A	15	15	3 x 1.0	3 x 1.0
Power Supply Cable			N x mm²	3 x 1.0	3 x 1.0	4 x 0.75 (Including Earth)	4 x 0.75 (Including Earth)
Power & Transmission Cable			N x mm²	4 x 0.75 (Including Earth)	4 x 0.75 (Including Earth)	885*285*210	885*285*210
Dimension			mm	885*285*210	885*285*210	9	9
Net Weight			kg	9	9	20	20
Fan Motor Output			W	20	20	-10-48	-10-48
Outdoor Unit							
Operation Range	Cooling	Min~Max	°CDB	-10-48	-10-48	-10-24	-10-24
	Heating	Min~Max	°CWB	-10-24	-10-24	47	47
Sound Pressure	Cooling	High	dB(A)	47	47	47	47
	Heating	High	dB(A)	47	47	65	65
Sound Power	Cooling	High	dB(A)	65	65	27	27
	Heating	High	dB(A)	65	65	3	3
Air Flow Rate	Cooling	High	m³/min	27	27	15	15
	Heating	High	m³/min	3	3	7	7
Piping	Length (Odu/Idu)	Min	m	15	15	6.35	6.35
		Max	m	15	15	1.4	1.4
	Elevation (Odu/Idu)	Min	m	7	7	9.52	9.52
		Max	m	7	7	1.4	1.4
Piping Connection	Liquid	OD(Outside)	mm	6.35	6.35	1.4	1.4
		OD(Outside)	inch	(1/4)	(1/4)	9.52	9.52
	Gas	OD(Outside)	mm	9.52	9.52	1.4	1.4
		OD(Outside)	inch	(3/8)	(3/8)	21.5	21.5
Drain	OD(Outside)	mm	21.5	21.5	0.85	0.85	
	OD(Outside)	inch	0.85	0.85	R410A	R410A	
Refrigerant	Type			R410A	R410A	900	900
	Charge at 7.5m			900	900	20	20
Additional charge			g/m	20	20	43	43
Fan Motor Output			W	43	43	Rotary	Rotary
Compressor Type				Rotary	Rotary	28	28
Net Weight			kg	28	28	717*483*230	717*483*230
Dimension			mm	717*483*230	717*483*230		

INDOOR UNIT - USUW096B8F0 / USUW126B8F0



OUTDOOR UNIT - USUW096B8F0 / USUW126B8F0



(Unit: mm)

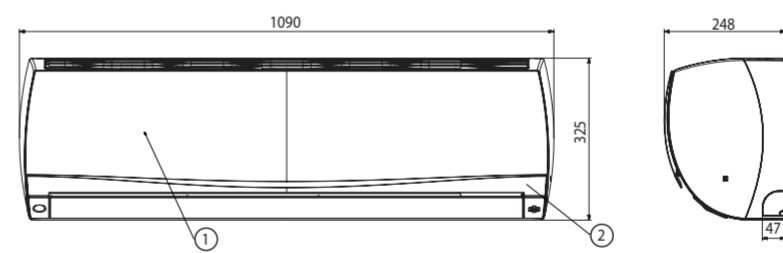
Item No.	Part Name
1	Air Discharge Grille
2	Gas Pipe Connection Port
3	Liquid Pipe Connection Port
4	Control Box
5	Earth Screw

18K
P18EL
24K
P24EL



Unit				18K		24K	
Model Outdoor Unit				P18EL ASUW1862WR0		P24EL ASUW2462WR0	
Model Indoor Unit				P18EL ASNW1862WR0		P24EL ASNW2462WR0	
Indoor Unit							
Capacity	Cooling	Min	W	900	900	5000	6800
		Rated	W	5000	6800	5525	7420
	Heating	Min	W	900	900	5800	8000
		Rated	W	5800	8000	6438	8640
Power Input	Cooling	-7°C	W	3800	4850	1,562	2,193
		Rated	W	1,562	2,193	1,611	2,285
	Heating +7°C	Rated	W	1,611	2,285	3.20	3.10
EER				3.20	3.10	6.1	6.1
S.E.E.R.				6.1	6.1	5.0	6.8
P design C				5.0	6.8	3.60	3.50
COP				3.60	3.50	4.0	3.8
S.C.O.P.				4.0	3.8	4.1	5.5
P design H				4.1	5.5	A++	A++
Energy Label	Cooling			A++	A++	A	A
	Heating			A	A	287	391
Annual Energy Consumption	Cooling		kWh	287	391	1435	2027
	Heating		kWh	1435	2027	29	29
Sound Pressure	Cooling	Sleep	dB(A)	29	29	35	35
		Low	dB(A)	35	35	40	40
		Medium	dB(A)	40	40	45	45
		High	dB(A)	45	45	35	35
Heating	Low	dB(A)	35	35	40	40	
	Medium	dB(A)	40	40	45	45	
	High	dB(A)	45	45	60	65	
	Max (Power)	dB(A)	60	65	8	8	
Air Flow Rate	Cooling	Low	m³/min	8	8	11	11
		Medium	m³/min	11	11	14	14
		High	m³/min	14	14	15	17
		Max (Power)	m³/min	15	17	19	23
Heating	Low	m³/min	11.5	11.5	15	15	
	Medium	m³/min	15	15	16	18.5	
	High	m³/min	16	18.5	1.8	2.5	
	Rated	l/h	1.8	2.5	7.2	10	
Running Current	Cooling	Max	A	7.2	10	9	10.6
		Rated	A	9	10.6	7.5	10.2
	Heating	Max	A	10.2	11	9.5	11
		Rated	A	7.2	10	7.2	10
Starting Current	Cooling	Rated	A	7.2	10	7.5	10.2
	Heating	Rated	A	10.2	11	20	25
Power Supply			Φ / V / Hz	1 / 220-240 / 50	1 / 220-240 / 50	1 / 220-240 / 50	1 / 220-240 / 50
Circuit Breaker			A	25	25	3 x 1.5	3 x 2.5
Power Supply Cable			N x mm²	3 x 1.5	3 x 2.5	4 x 1.0 (Including Earth)	4 x 1.0 (Including Earth)
Power & Transmission Cable			N x mm²	4 x 1.0 (Including Earth)	4 x 1.0 (Including Earth)	1090*330*248	1090*330*248
Dimension			mm	1090*330*248	1090*330*248	14	14
Net Weight			kg	14	14	20	20
Fan Motor Output			W	20	20	76	76
Outdoor Unit							
Operation Range	Cooling	Min~Max	°CDB	-10-48	-10-48	-10-24	-10-24
	Heating	Min~Max	°CWB	-10-24	-10-24	54	54
Sound Pressure	Cooling	High	dB(A)	54	54	53	54
	Heating	High	dB(A)	53	54	70	70
Sound Power	Cooling	High	dB(A)	70	70	32	32
	Heating	High	dB(A)	32	32	30	30
Air Flow Rate	Cooling	High	m³/min	32	32	20	20
	Heating	High	m³/min	30	30	15	15
Piping	Length (Odu/Idu)	Min	m	20	20	6.35	6.35
		Max	m	20	20	1.4	1.4
	Elevation (Odu/Idu)	Min	m	10	10	1.4	1.4
		Max	m	15	15	9.52	9.52
Piping Connection	Liquid	OD(Outside)	mm	6.35	6.35	1.4	1.4
		OD(Outside)	inch	(1/4)	(1/4)	9.52	9.52
	Gas	OD(Outside)	mm	12.7	15.88	1.4	1.4
		OD(Outside)	inch	(1/2)	(5/8)	21.5	21.5
Drain	OD(Outside)	mm	21.5	21.5	0.85	0.85	
	OD(Outside)	inch	0.85	0.85	R410A	R410A	
Refrigerant	Type			R410A	R410A	1150	1350
	Charge at 7.5m			1150	1350	20	20
Additional charge			g/m	20	20	43	85
Fan Motor Output			W	43	85	Single Rotary	Twin Rotary
Compressor Type				Single Rotary	Twin Rotary	34	46
Net Weight			kg	34	46	770*545*288	870*655*320
Dimension			mm	770*545*288	870*655*320		

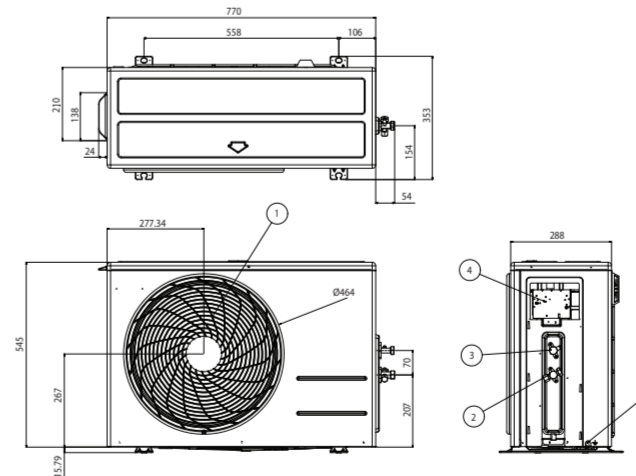
INDOOR UNIT - ASUW1862WR0 / ASUW2462WR0



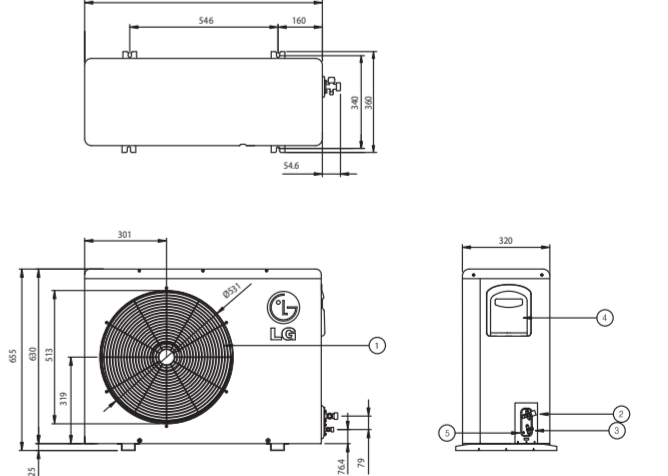
(Unit: mm)

Item No.	Part Name	Remark
1	Front Panel	
2	Display & Signal Receiver	
3	Air Suction Grille	
4	Knockout hole	For pipe and cable
5	Installation Plate	

OUTDOOR UNIT - ASUW1862WR0



OUTDOOR UNIT - ASUW2462WR0



(Unit: mm)

Item No.	Part Name
1	Air Discharge Grille
2	Gas Pipe Connection Port
3	Liquid Pipe Connection Port
4	Control Box
5	Earth Screw